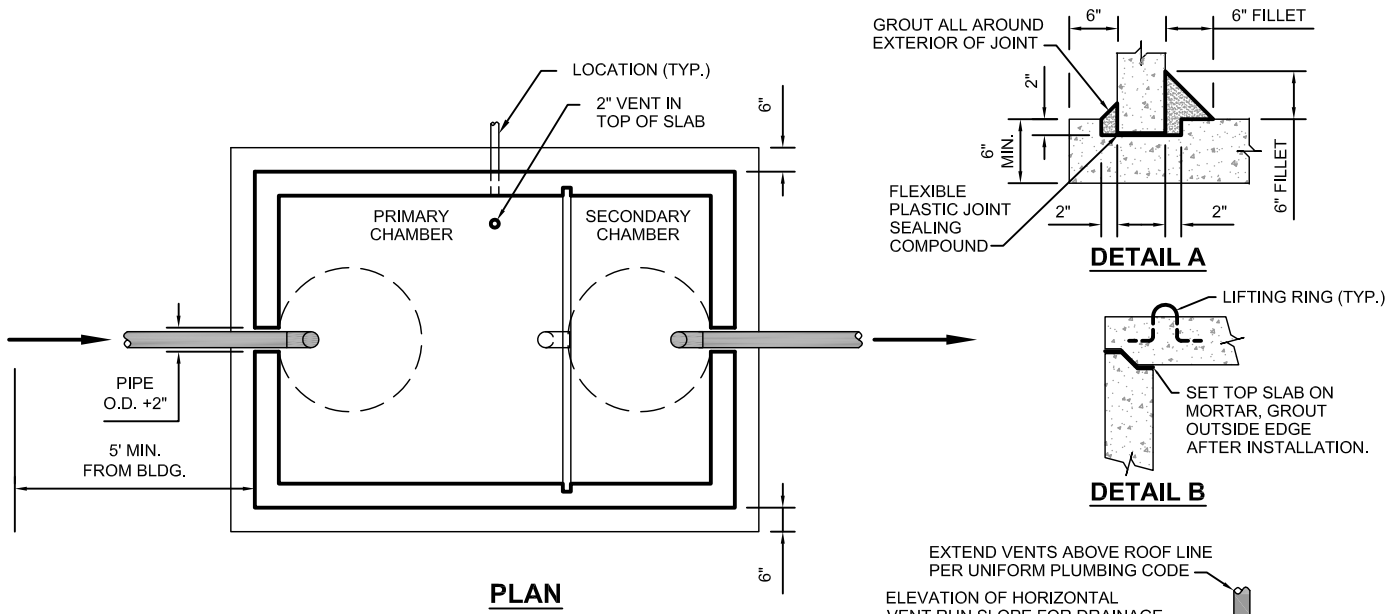
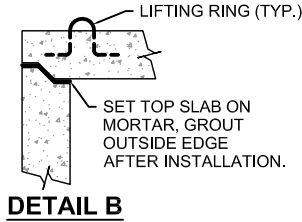


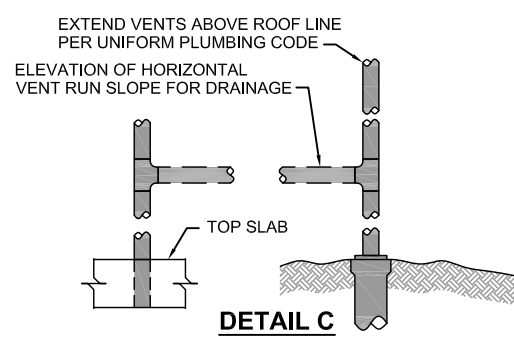
COPYRIGHT © 2016 SOUTHGATE WATER & SANITATION DISTRICTS



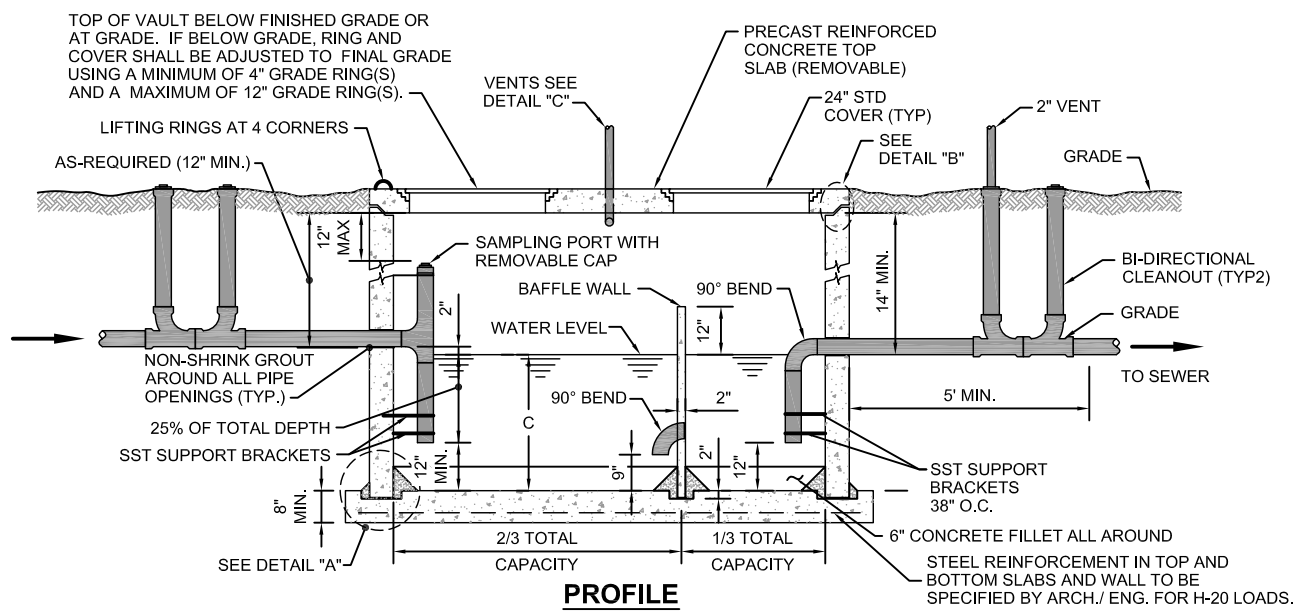
**DETAIL A**



**DETAIL B**



**DETAIL C**



**PROFILE**

SIZING PER LITTLETON/ENGLEWOOD WASTEWATER TREATMENT PLANT DIVISION AND DISTRICT STANDARDS

<b>REVISED</b>		 <p><b>Southgate</b> WATER &amp; SANITATION DISTRICTS</p>	SCALE
BY	DATE		<b>NOT TO SCALE</b>
		<p><b>SANITARY SEWER</b> <b>GRAVITY GREASE INTERCEPTOR</b></p>	ISSUE DATE
			<b>FEBRUARY 2016</b>
			SHEET <b>1 OF 1</b> DRAWING NO. <b>SS-27</b>