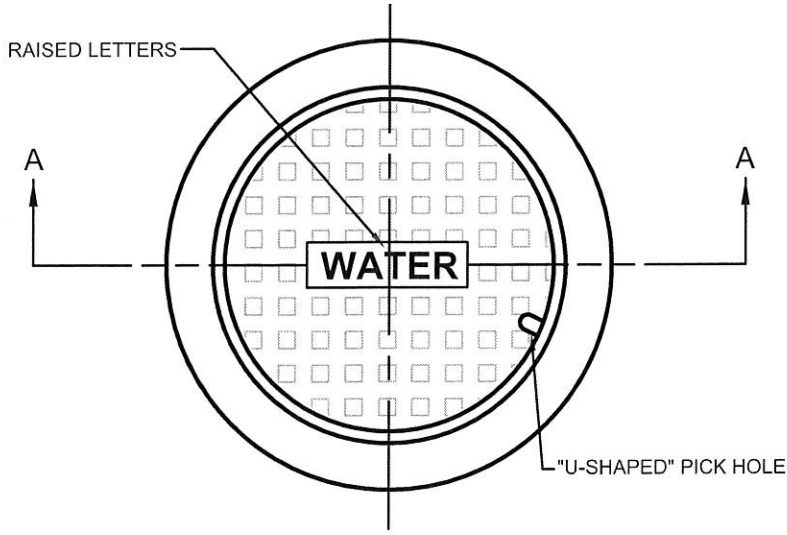
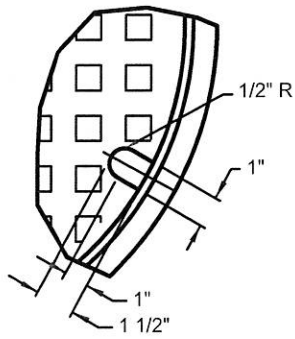


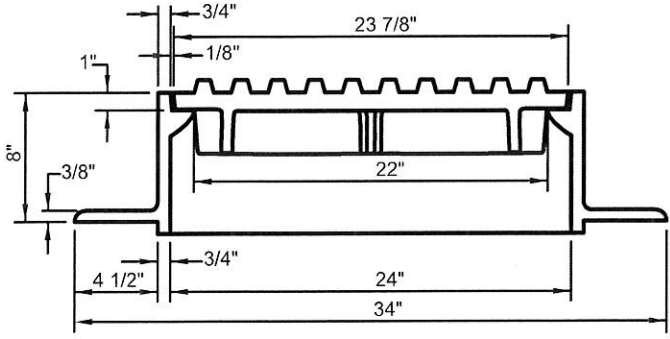
COPYRIGHT © 2016 SOUTHGATE WATER & SANITATION DISTRICTS



PLAN



PICK HOLE



SECTION A-A

NOTE:

- 1. CASTING SPECIFICATIONS: ASTM A-48 WITH A MINIMUM TENSILE STRENGTH OF 35 KSI (CLASS 35B)
- 2. ALUMINUM COVERS WITH CAM LOCKS ARE REQUIRED IN ALL EASEMENTS AND DRAINAGE WAYS. ALUMINUM CASTING SHALL CONFORM TO ASTM B-26 WITH A MINIMUM TENSILE STRENGTH OF 23 KSI.
- 3. CASTINGS SHALL BE AS SPECIFIED BELOW OR EQUAL:

MANUFACTURERS	CAT. #
NEENAH	R-1706
CASTINGS, INC.	MH-400-24 C.I.

REVISED	
BY	DATE



STANDARD 24" RING AND COVER

SCALE	
NOT TO SCALE	
ISSUE DATE	
MAY 2016	
SHEET	DRAWING NO.
1 OF 1	W-12