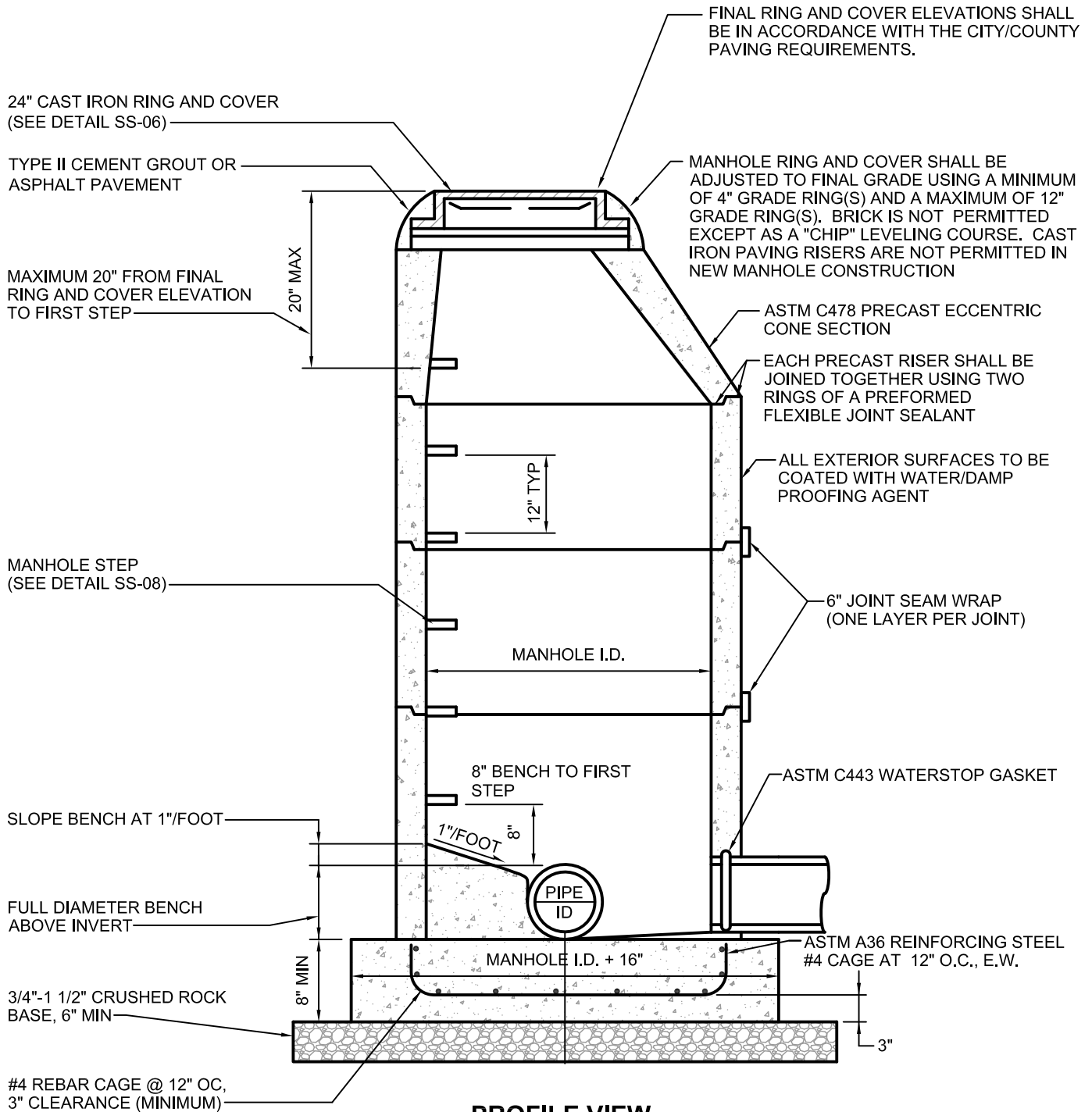
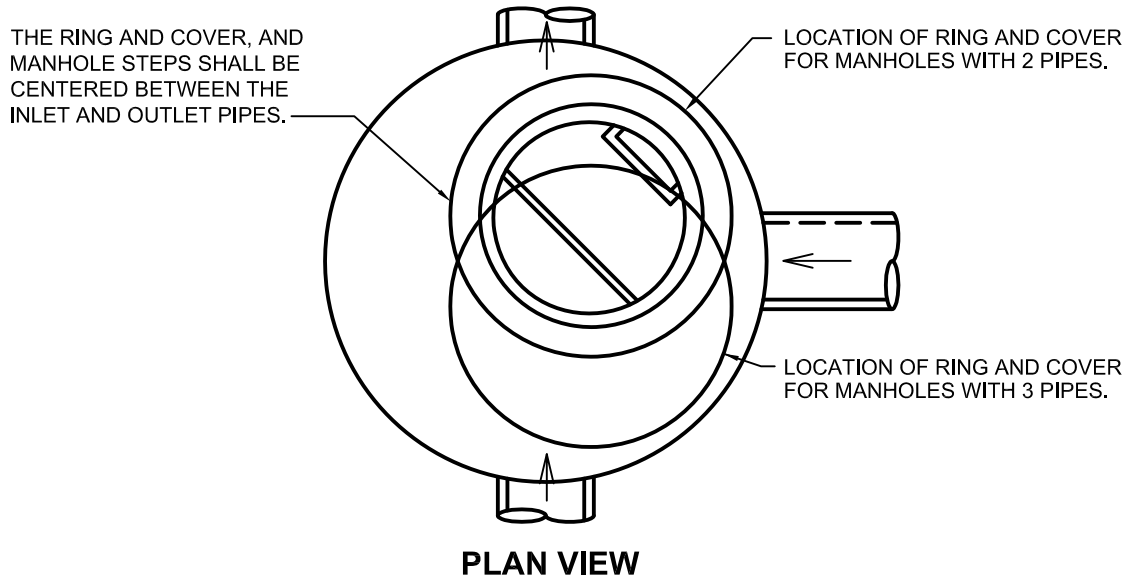


COPYRIGHT © 2016 SOUTHGATE WATER & SANITATION DISTRICTS



**PROFILE VIEW**

<b>REVISED</b>		 <p><b>Southgate</b> WATER &amp; SANITATION DISTRICTS</p>	SCALE
BY	DATE		<b>NOT TO SCALE</b>
		<p><b>STANDARD MANHOLE</b></p>	ISSUE DATE
			<b>FEBRUARY 2016</b>
			SHEET
			DRAWING NO.
			<b>1 OF 2</b>
			<b>SS-03</b>



NOTES:

1. GENERAL - THIS DETAIL IS FOR STANDARD MANHOLES WHERE INCOMING/OUTGOING LINES HAVE A MINIMUM COVER OF SIX (6) FEET OVER THE TOP OF PIPE. MANHOLE INSTALLATIONS PROPOSED TO HAVE LESS THAN SIX (6) FEET OF COVER OVER INCOMING/OUTGOING PIPES REQUIRE PRIOR DISTRICT APPROVAL AND SHALL BE CONSTRUCTED IN CONFORMANCE WITH THE MINIMUM DEPTH MANHOLE DETAIL.

<b>REVISED</b>		 <b>Southgate</b> <small>WATER &amp; SANITATION DISTRICTS</small>	SCALE
BY	DATE		<b>NOT TO SCALE</b>
		<b>STANDARD MANHOLE</b>	ISSUE DATE
			<b>FEBRUARY 2016</b>
			SHEET <b>2 OF 2</b> DRAWING NO. <b>SS-03</b>