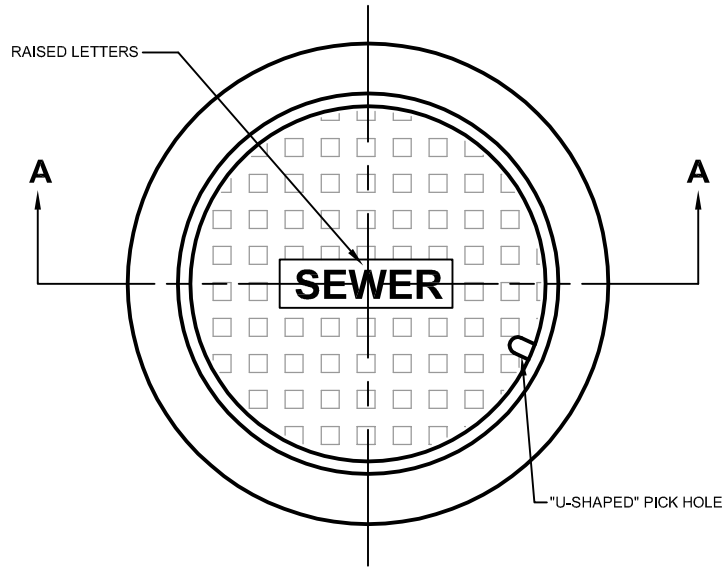
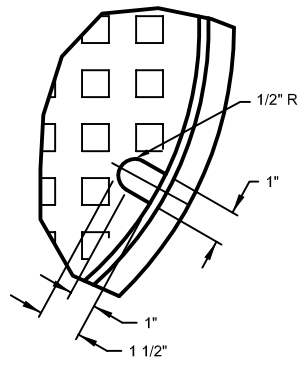


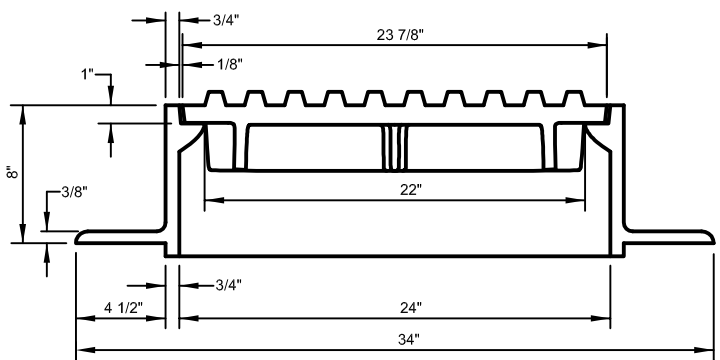
COPYRIGHT © 2016 SOUTHGATE WATER & SANITATION DISTRICTS



PLAN



PICK HOLE



SECTION A-A

NOTE:

1. CASTING SPECIFICATIONS: ASTM A-48 WITH A MINIMUM TENSILE STRENGTH OF 35 KSI (CLASS 35B).
2. ALUMINUM COVERS WITH CAM LOCKS ARE REQUIRED IN ALL EASEMENTS AND DRAINAGE WAYS. ALUMINUM CASTING SHALL CONFORM TO ASTM B-26 WITH A MINIMUM TENSILE STRENGTH OF 23 KSI.
3. CASTINGS SHALL BE AS SPECIFIED BELOW OR EQUAL:

MANUFACTURERS	CAT. #
NEENAH CASTINGS, INC.	R-1706 MH-400-24 C.I.

REVISED	
BY	DATE



Southgate
WATER & SANITATION DISTRICTS

STANDARD 24" RING AND COVER

SCALE	
NOT TO SCALE	
ISSUE DATE	
FEBRUARY 2016	
SHEET	DRAWING NO.
1 OF 1	SS-06