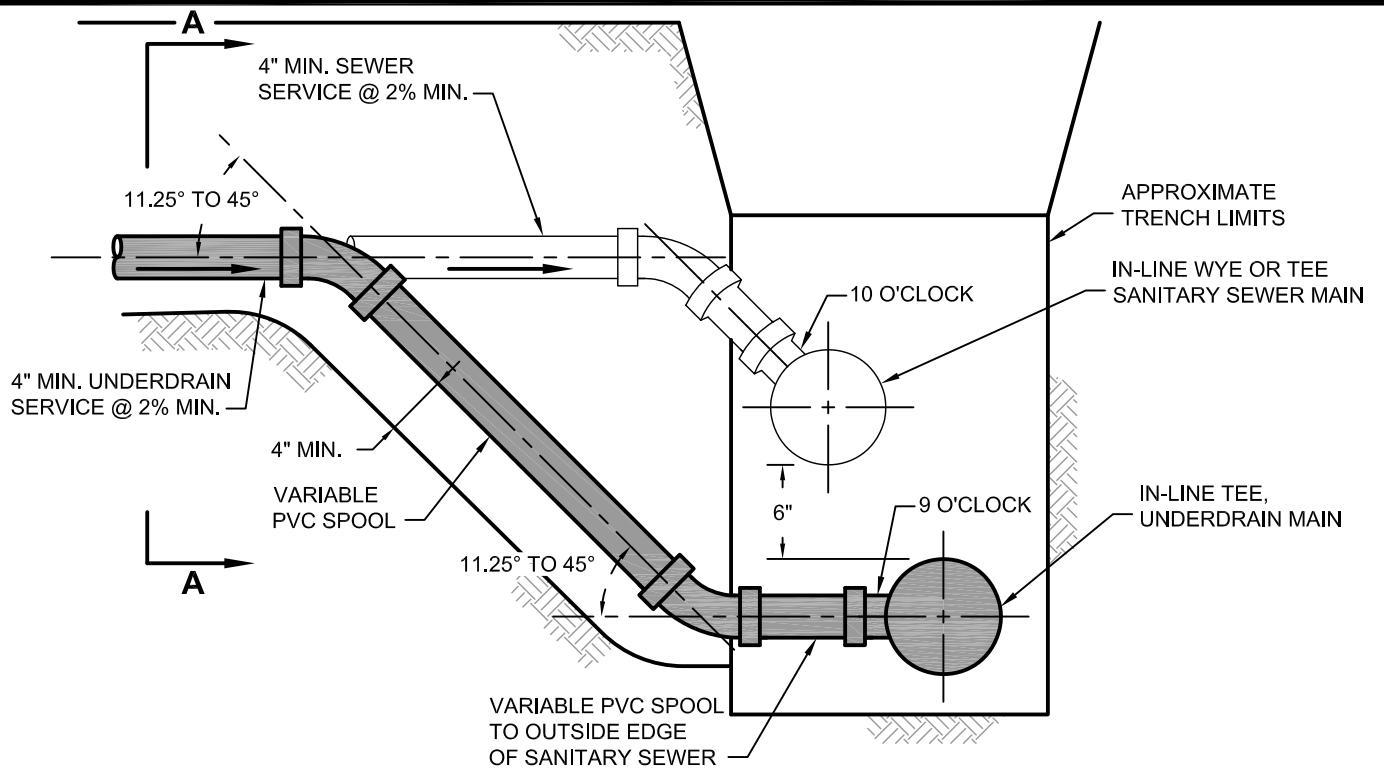


NOTES

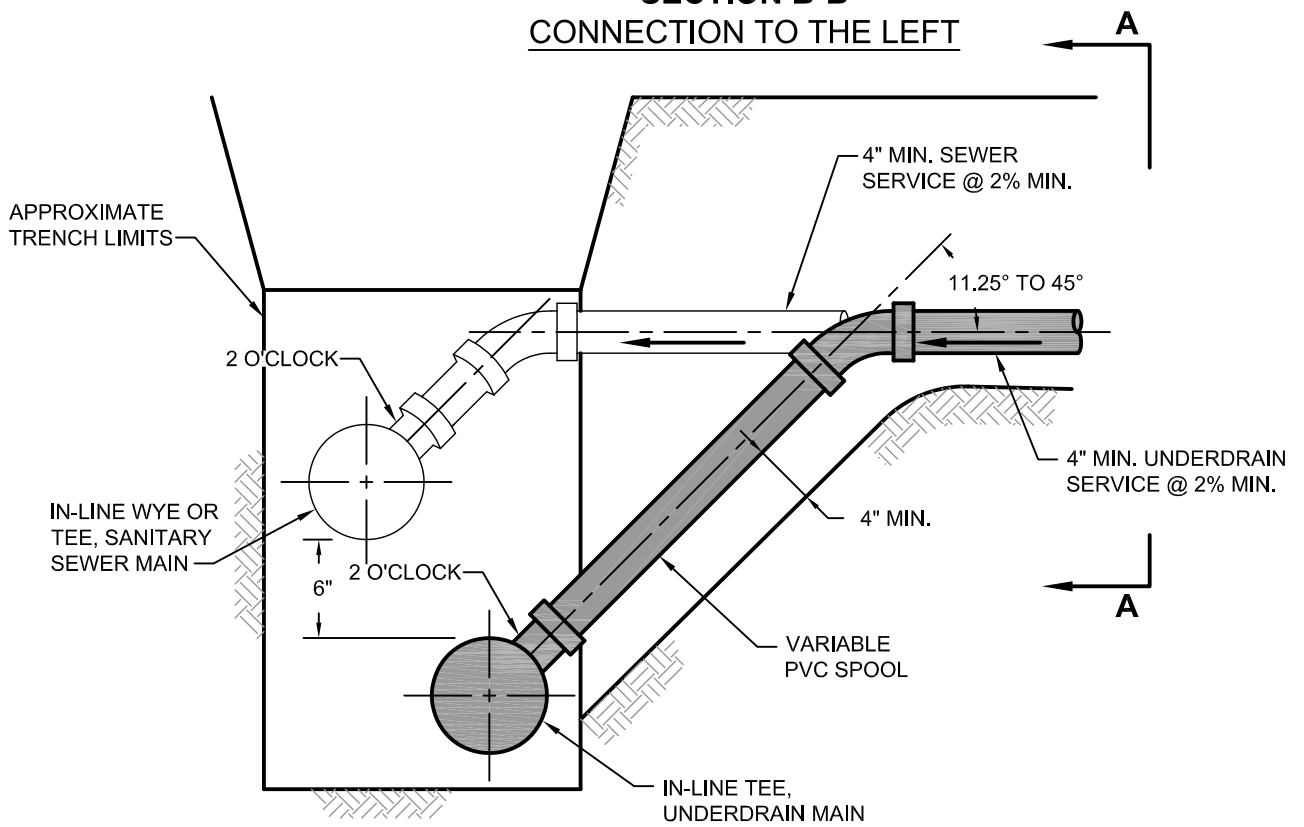
1. USE THIS DETAIL IN CONJUNCTION WITH THE "TRENCH WITH UNDERDRAIN" DETAIL AND THE "DOMESTIC SEWER TAPPING" DETAIL.
2. ALL SECTIONS SHOWN ARE SHOWN LOOKING DOWNSTREAM.
3. UNDERDRAIN SERVICE LINE PIPE MATERIAL TO BE EQUAL TO MAIN UNDERDRAIN PIPE MATERIAL.
4. BLDG. UNDERDRAINS ARE TO BE LOCATED ON LEFT SIDE OF SERVICE LINE TRENCH, WITH SANITARY SEWER SERVICE ON THE RIGHT WHEN FACING THE BUILDING.

REVISED		 <p>Southgate WATER & SANITATION DISTRICTS</p>	SCALE
BY	DATE		NOT TO SCALE
		<p>SANITARY SEWER SERVICE PLAN CONNECTIONS WITH PRIVATELY OWNED UNDERDRAIN</p>	ISSUE DATE
			FEBRUARY 2016
			SHEET 1 OF 2 DRAWING NO. SS-30

COPYRIGHT © 2016 SOUTHGATE WATER & SANITATION DISTRICTS



SECTION B-B
CONNECTION TO THE LEFT



SECTION C-C
CONNECTION TO RIGHT

REVISED		 Southgate WATER & SANITATION DISTRICTS	SCALE
BY	DATE		NOT TO SCALE
		SANITARY SEWER SERVICE PLAN CONNECTIONS WITH PRIVATELY OWNED UNDERDRAIN	ISSUE DATE
			FEBRUARY 2016
			SHEET 2 OF 2 DRAWING NO. SS-30