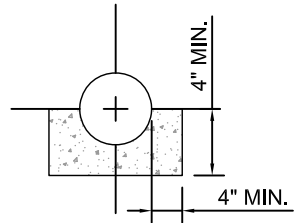
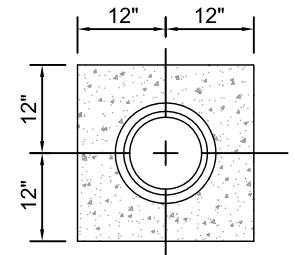
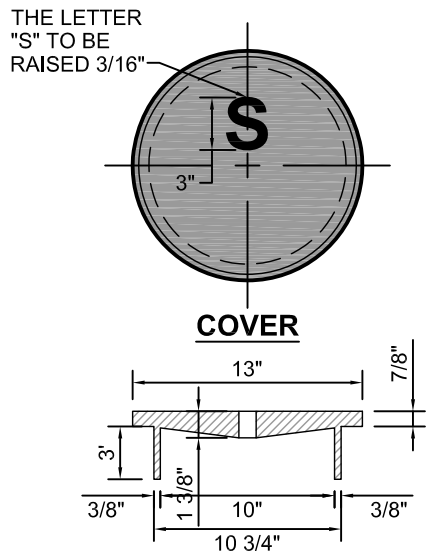
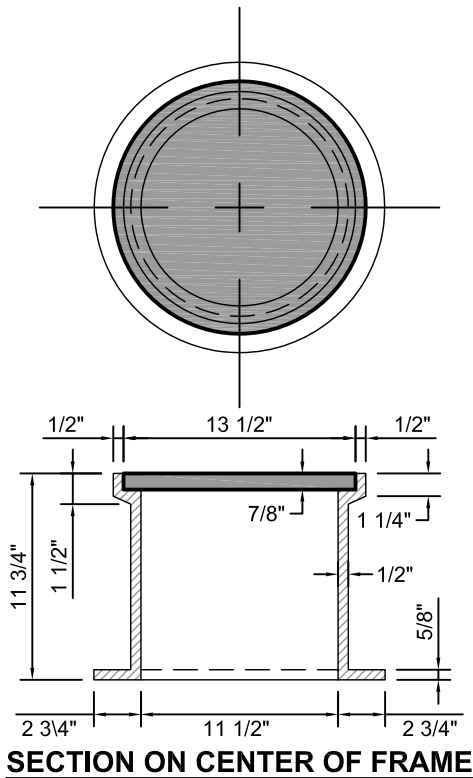
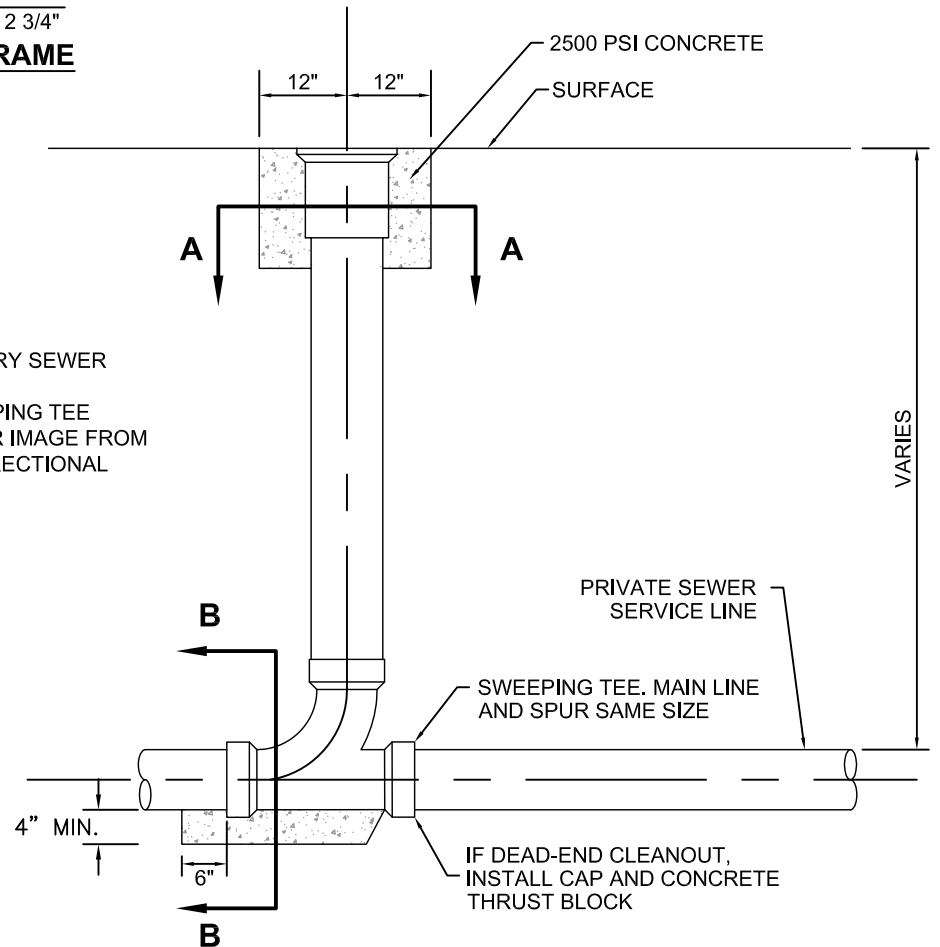


COPYRIGHT © 2016 SOUTHGATE WATER & SANITATION DISTRICTS



**NOTES:**

1. FOR USE IN PRIVATE SANITARY SEWER SERVICES ONLY.
2. PROVIDE ADDITIONAL SWEEPING TEE WITH VERTICAL RISER (MIRROR IMAGE FROM DETAIL SHOWN) FOR ALL BI-DIRECTIONAL CLEANOUTS.



<b>REVISED</b>		 <b>Southgate</b> WATER & SANITATION DISTRICTS	SCALE
BY	DATE		<b>NOT TO SCALE</b>
			ISSUE DATE
			<b>FEBRUARY 2016</b>
			SHEET
			DRAWING NO.
			<b>1 OF 1</b>
			<b>SS-24</b>
<b>SANITARY SEWER SERVICE CLEANOUT</b>			