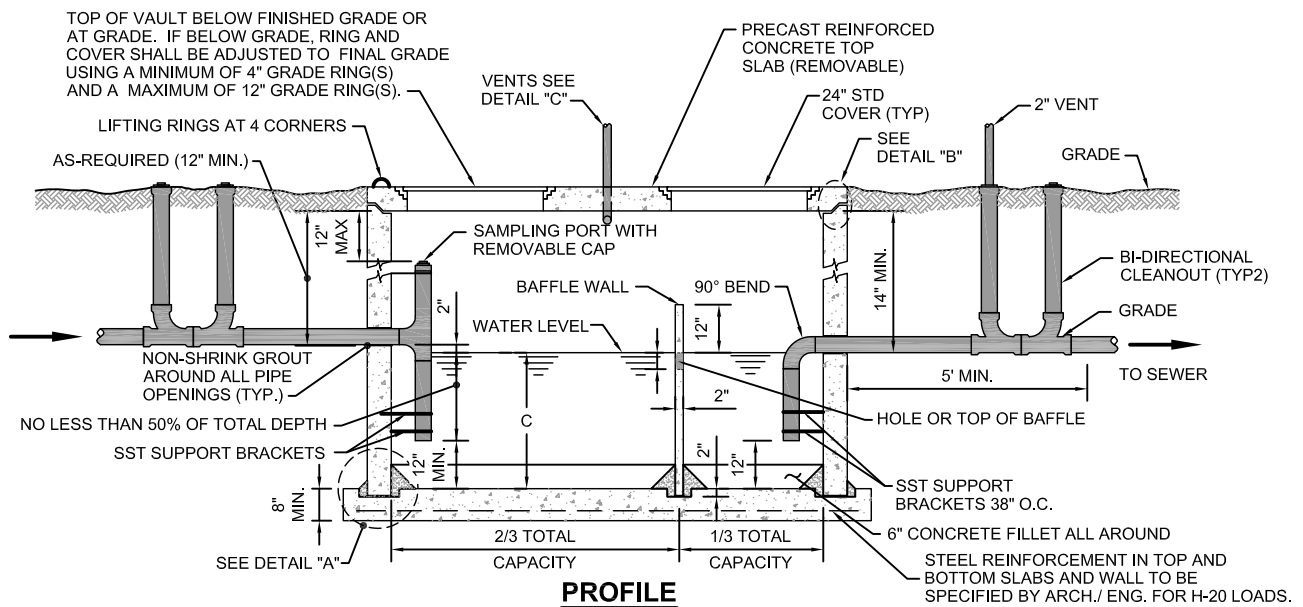
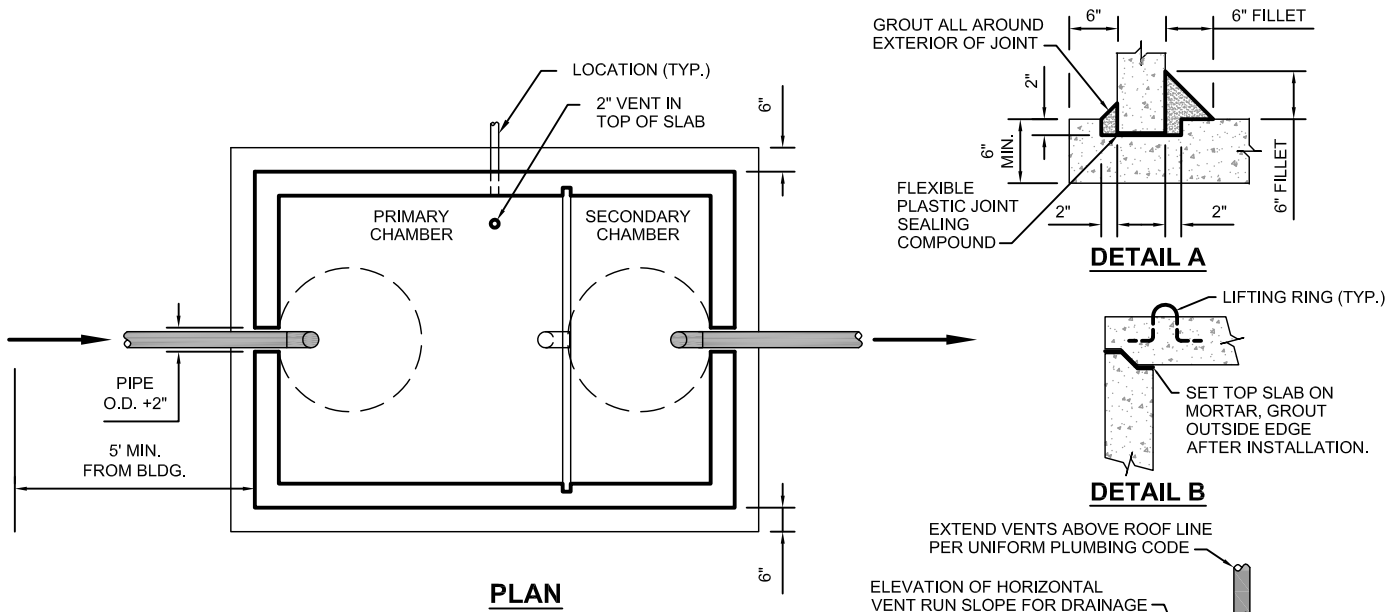


COPYRIGHT © 2016 SOUTHGATE WATER & SANITATION DISTRICTS



SIZING PER LITTLETON/ENGLEWOOD WASTEWATER TREATMENT PLANT DIVISION AND DISTRICT STANDARDS

REVISED		 Southgate WATER & SANITATION DISTRICTS	SCALE
BY	DATE		NOT TO SCALE
			ISSUE DATE
			FEBRUARY 2016
		SANITARY SEWER SAND/OIL INTERCEPTOR	SHEET
			DRAWING NO.
			1 OF 1
			SS-28